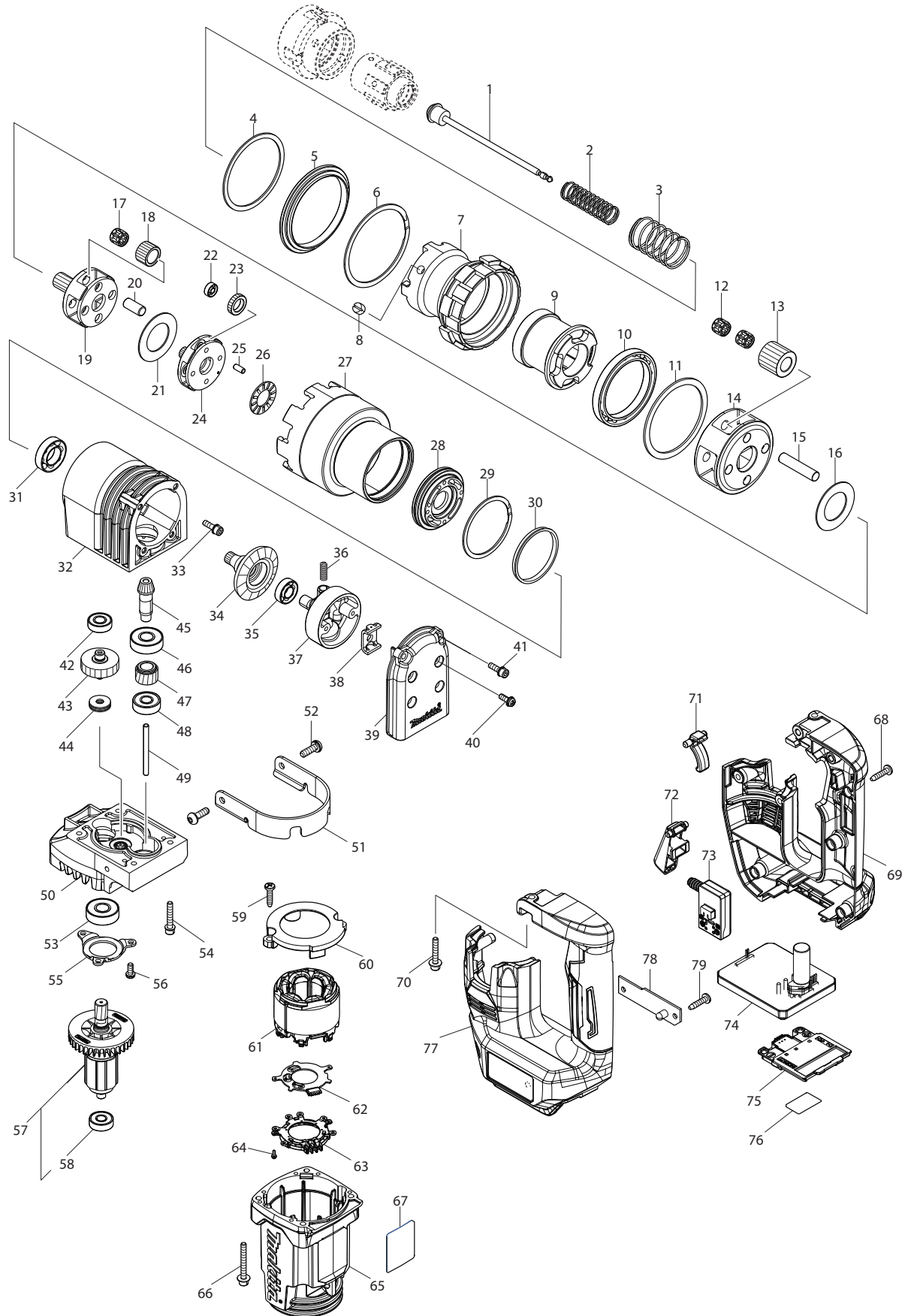


MAKITA GTW01

No. 04-24



MAKITA GTW01

No. 04-24



Part #	Description	Q'ty
001	CHIP ROD	1
002	COMPRESSION SPRING	1
003	COMPRESSION SPRING	1
004	SPIRO LOCK WASHER	1
005	SPACER	1
006	SPIRO LOCK WASHER	1
007	OUTER SUPPORT	1
008	SET SCREW(DOG POINT) M8X8	2
009	INNER SUPPORT COMPLETE	1
010	BALL BEARING	1
011	FLAT WASHER	1
012	NEEDLE CAGE	8
013	SPUR GEAR	4
014	CARRIER	1
015	PIN	4
016	WASHER	1
017	NEEDLE CAGE	4
018	SPUR GEAR	4
019	SPUR GEAR	1
020	PIN	4
021	WASHER	1
022	BALL BEARING	4
023	SPUR GEAR	4
024	SPUR GEAR	1
025	PIN	4
026	THRUST NEEDLE GAUGE	1
027	INTERNAL GEAR	1
028	BRACKET	1
029	SPIRO LOCK WASHER	1
030	RING	1
031	BALL BEARING	1
032	GEAR CASE COMPLETE	1
032	RUBBER PIN	2
033	HEX. SOCKET HEAD BOLT M4X14	4
034	GEAR	1
035	BALL BEARING	1
036	COMPRESSION SPRING	1
037	ROD SUPPORTER	1
038	STOPPER PLATE	1
039	REAR COVER	1
040	PAN HEAD SCREW M4X12	2
041	HEX. SOCKET HEAD BOLT M4X14	4
042	BALL BEARING	1
043	HELICAL GEAR	1

Part #	Description	Q'ty
044	THRUST NEEDLE BEARING	1
045	SPIRAL BEVEL GEAR	1
046	BALL BEARING	1
047	HELICAL GEAR	1
048	BALL BEARING	1
049	PIN	1
050	GEAR HOUSING COMPLETE	1
051	HOOK	1
052	H.S. BOLT M5X16	2
053	BALL BEARING	1
054	HEX BOLT M4X25	4
055	BEARING RETAINER	1
056	PAN HEAD SCREW M4X10	3
057	ROTOR ASS'Y	1
058	BALL BEARING	1
059	TAPPING SCREW 4X18	2
060	BAFFLE PLATE	1
061	STATOR	1
062	CONTROLLER B	1
063	LEAD UNIT	1
064	PAN HEAD SCREW M2X6	6
065	MOTOR HOUSING	1
066	HEX HEAD BOLT M4X35	4
067	GTW01 NAME PLATE	1
068	TAPPING SCREW 4X18	6
069	HANDLE SET	1
070	H.S.H.BOLT M4X25	2
071	CHIP LEVER	1
072	SWITCH LEVER	1
073	SWITCH	1
074	CONTROLLER	1
075	TERMINAL UNIT	1
076	GTW01 SERIAL NO.LABEL	1
077	HANDLE SET	1
078	LED CIRCUIT	1
079	TAPPING SCREW 4X18	2
A01	OUTER SLEEVE	1
A02	INNER SLEEVE	1
A03	OUTER SLEEVE	1
A04	INNER SLEEVE	1
A05	SCREWDRIVER	1
A06	SHOULDER BELT	1
A07	PLASTIC CARRYING CASE	1