

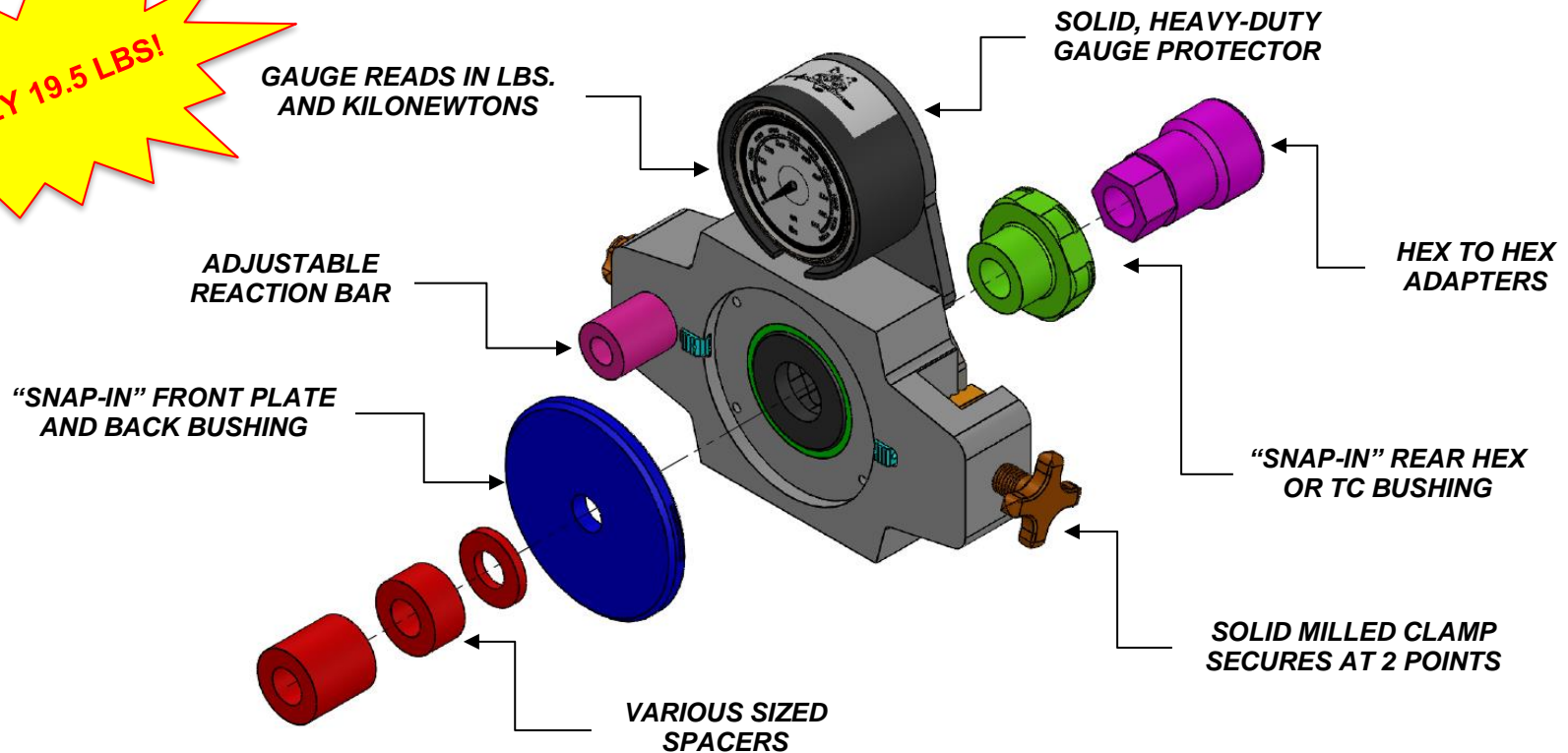
Norwolf® Tool Works, Inc. is proud to present:



# THE CALIBORE™

CBT-150 BOLT / TOOL CALIBRATOR

THE PERFECT IN BETWEEN BOLT CALIBRATOR THAT DOES SHORT AND LONG HEX AND TC BOLTS BETWEEN 1/2" AND 1-1/2" DIAMETER

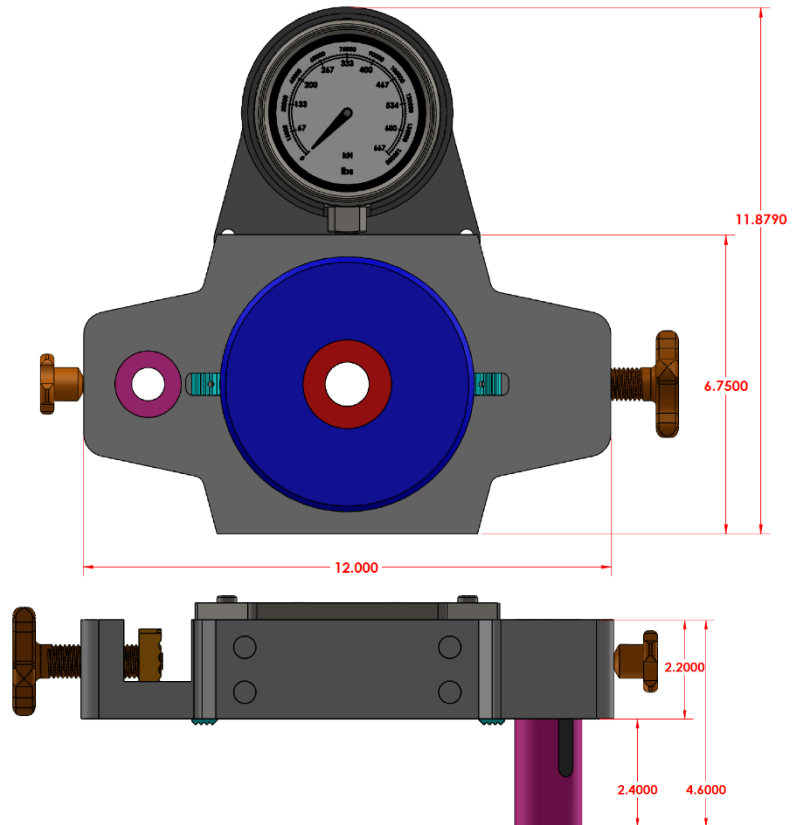


**THE BOLT TENSION CALIBRATOR FOR ALL BOLTS USING THE FOLLOWING TOOLS:**

- BATTERY WRENCH
- MANUAL TORQUE WRENCH
- ELECTRICAL WRENCH
- PNEUMATIC TORQUE WRENCH
- HYDRAULIC BOLT TENSIONER
- HYDRAULIC TORQUE WRENCH
- TORQUE MULTIPLIER
- MISSING LINK

REQUIRED MINIMUM BOLT LENGTH WITH 1/8" WASHER	
BOLT DIAMETER	BOLT LENGTH
1/2"	1-11/16"
5/8"	1-13/16"
3/4"	1-15/16"
7/8"	2-1/16"
1"	2-3/16"
1-1/8"	2-3/8"
1-1/4"	2-1/2"
1-3/8"	2-11/16"
1-1/2"	2-13/16"

REQUIRED MINIMUM BOLT LENGTH WITHOUT WASHER	
BOLT DIAMETER	BOLT LENGTH
1/2"	1-9/16"
5/8"	1-11/16"
3/4"	1-13/16"
7/8"	1-15/16"
1"	2-1/16"
1-1/8"	2-1/4"
1-1/4"	2-3/8"
1-3/8"	2-9/16"
1-1/2"	2-11/16"



**Safely calibrate A325 and A490 bolts from 1/2" to 1-1/2" as well as standard (B7) ASTM 193 bolts, DTI washer, metric, and all other bolts**

**Every Calibore™ comes in a wheeled, fitted case.  
Plate Kits Available**

**Compared to the competition:**

- **Lighter – weighs 19.5 lbs.**
- **Up to 150,000 lb. / 200 kN capacity**
- **Snap-in plates vs. screw-in**
- **Heavy duty gauge cover vs. sheet metal cover**
- **Built in Reaction Bar**
- **Mounting Holes for bench mount**
- **Calibrates short and long bolts ranging 1/2" - 1-1/2"**

PART NO.	DESCRIPTION		
CBT-150	BASIC UNIT w/ CASE		
CBT-150-K4	BASIC UNIT w/CASE with (4) PLATE SET SIZES: 3/4", 7/8", 1" and 1-1/8"		
CBT-150-K6	BASIC UNIT w/ CASE with (6) PLATE SET SIZES: 5/8", 3/4", 7/8", 1", 1-1/8" and 1-1/4"		
HEAVY HEX PLATE SETS	DESCRIPTION	TC BOLT PLATE SETS	DESCRIPTION
CBT-150-PS-050-H	1/2" Plate and Heavy Hex Bushing	CBT-150-PS-TC-050-H	1/2" Plate and TC Bushing
CBT-150-PS-062-H	5/8" Plate and Heavy Hex Bushing	CBT-150-PS-TC-062-H	5/8" Plate and TC Bushing
CBT-150-PS-075-H	3/4" Plate and Heavy Hex Bushing	CBT-150-PS-TC-075-H	3/4" Plate and TC Bushing
CBT-150-PS-087-H	7/8" Plate and Heavy Hex Bushing	CBT-150-PS-TC-087-H	7/8" Plate and TC Bushing
CBT-150-PS-100-H	1" Plate and Heavy Hex Bushing	CBT-150-PS-TC-100-H	1" Plate and TC Bushing
CBT-150-PS-112-H	1-1/8" Plate and Heavy Hex Bushing	CBT-150-PS-TC-112-H	1-1/8" Plate and TC Bushing
CBT-150-PS-125-H	1-1/4" Plate and Heavy Hex Bushing	CBT-150-PS-TC-125-H	1-1/4" Plate and TC Bushing
CBT-150-PS-137-H	1-3/8" Plate and Heavy Hex Bushing	CBT-150-PS-TC-137-H	1-3/8" Plate and TC Bushing
CBT-150-PS-150-H	1-1/2" Plate and Heavy Hex Bushing	CBT-150-PS-TC-150-H	1-1/2" Plate and TC Bushing