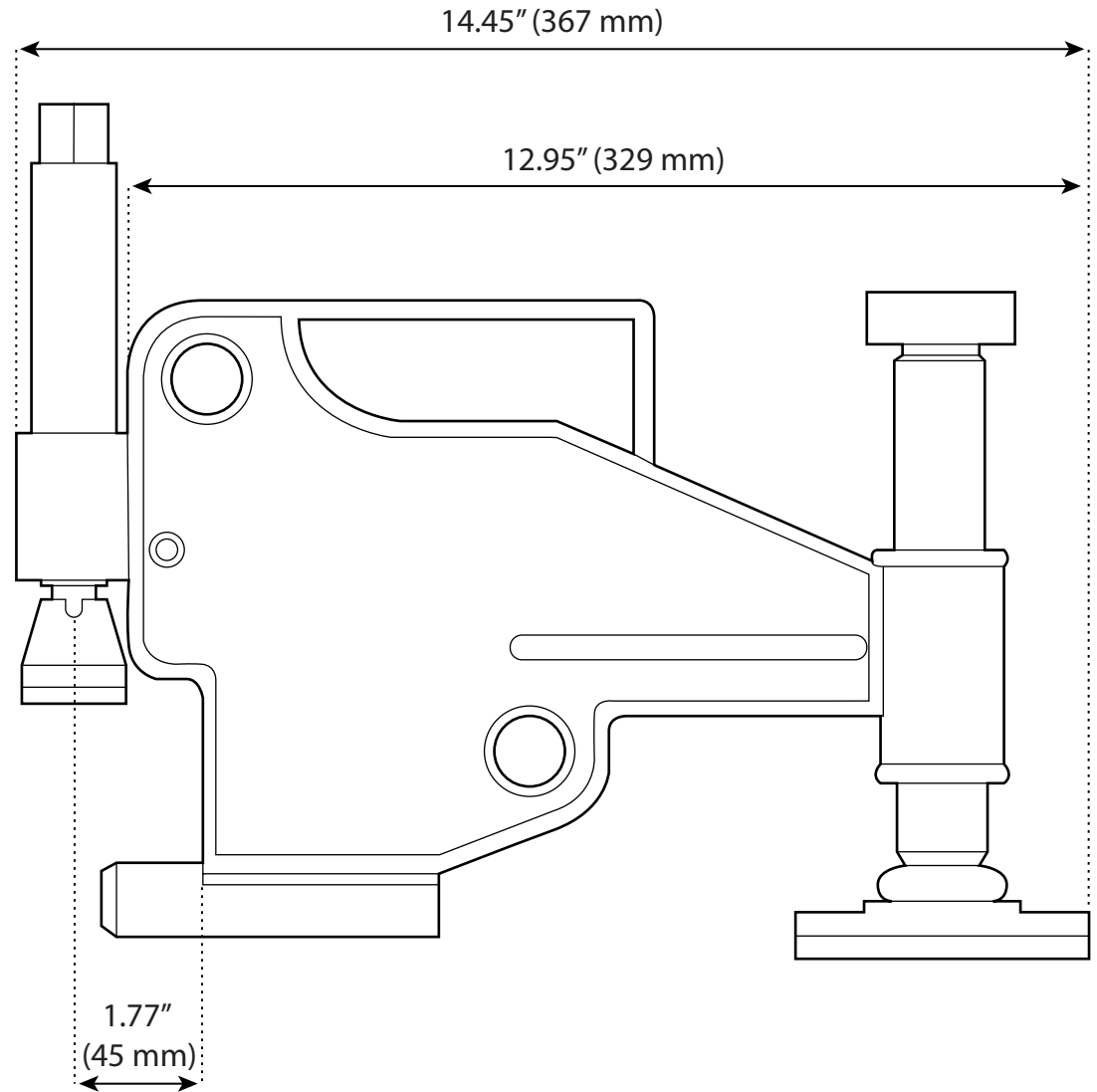
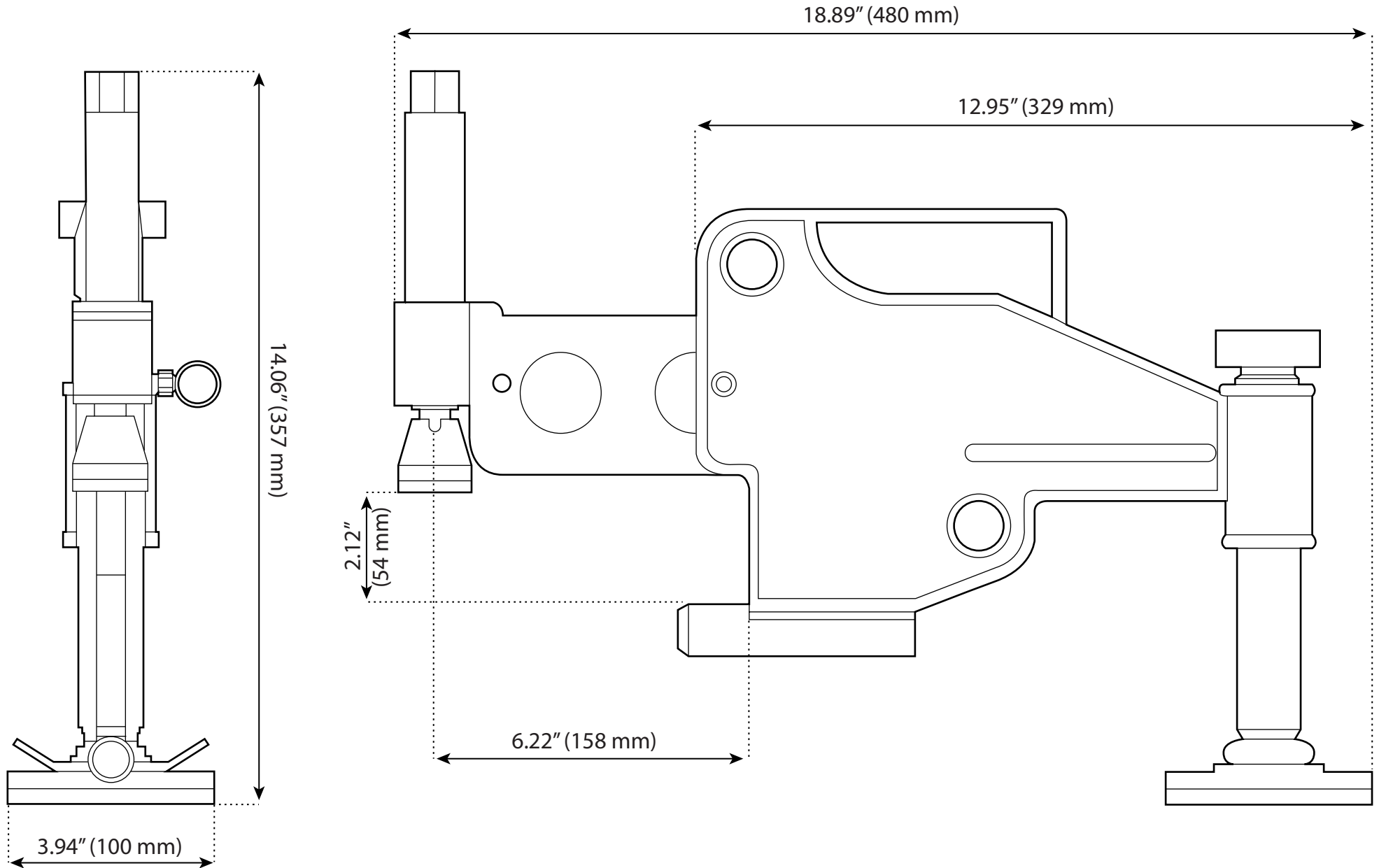


Minimum Extension



Dimensioned Drawing



Maximum Extension

Dimensioned Drawing