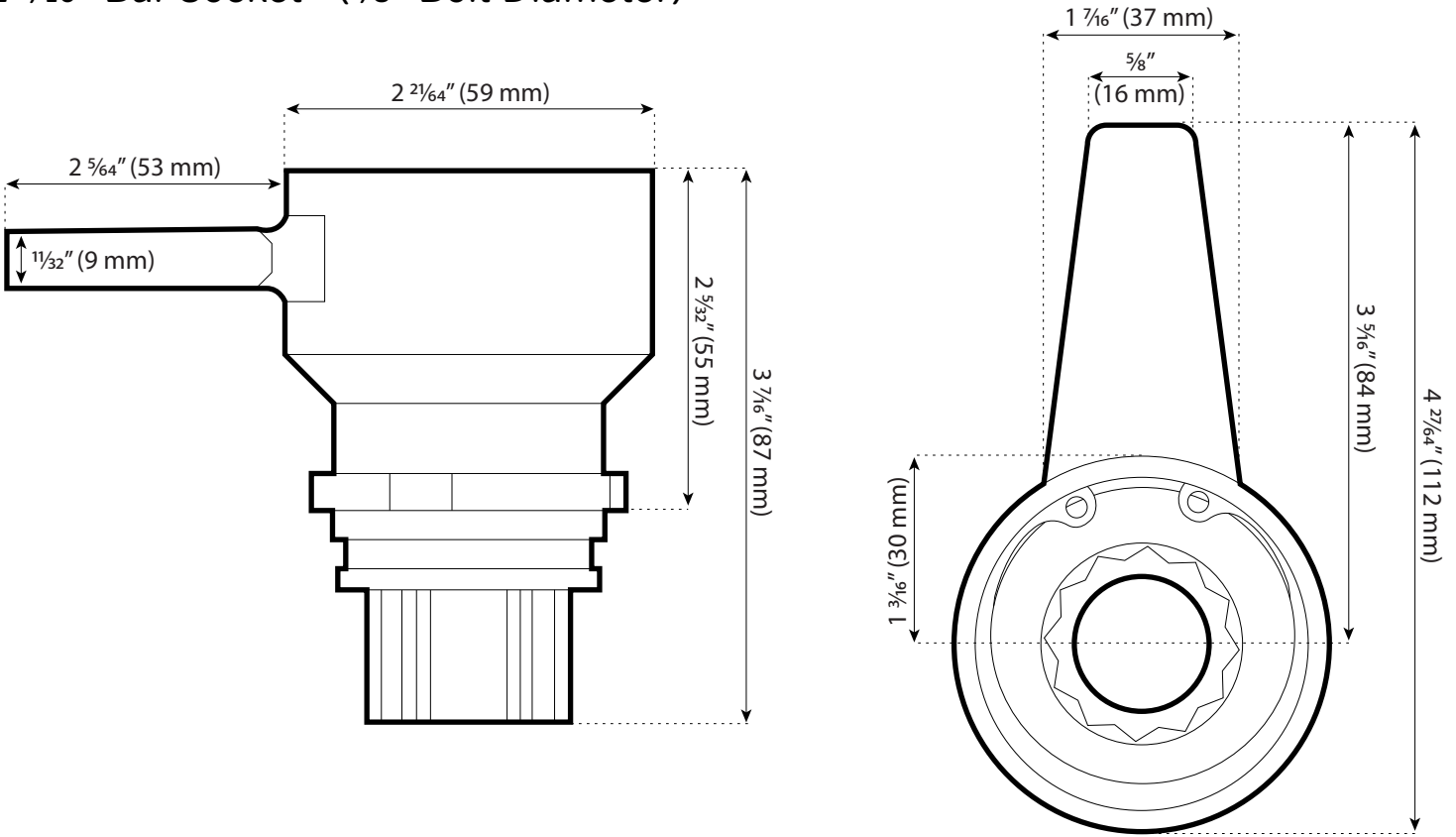


1 1/16" Bar Socket – (5/8" Bolt Diameter)



1 1/4" Bar Socket – (3/4" Bolt Diameter)

