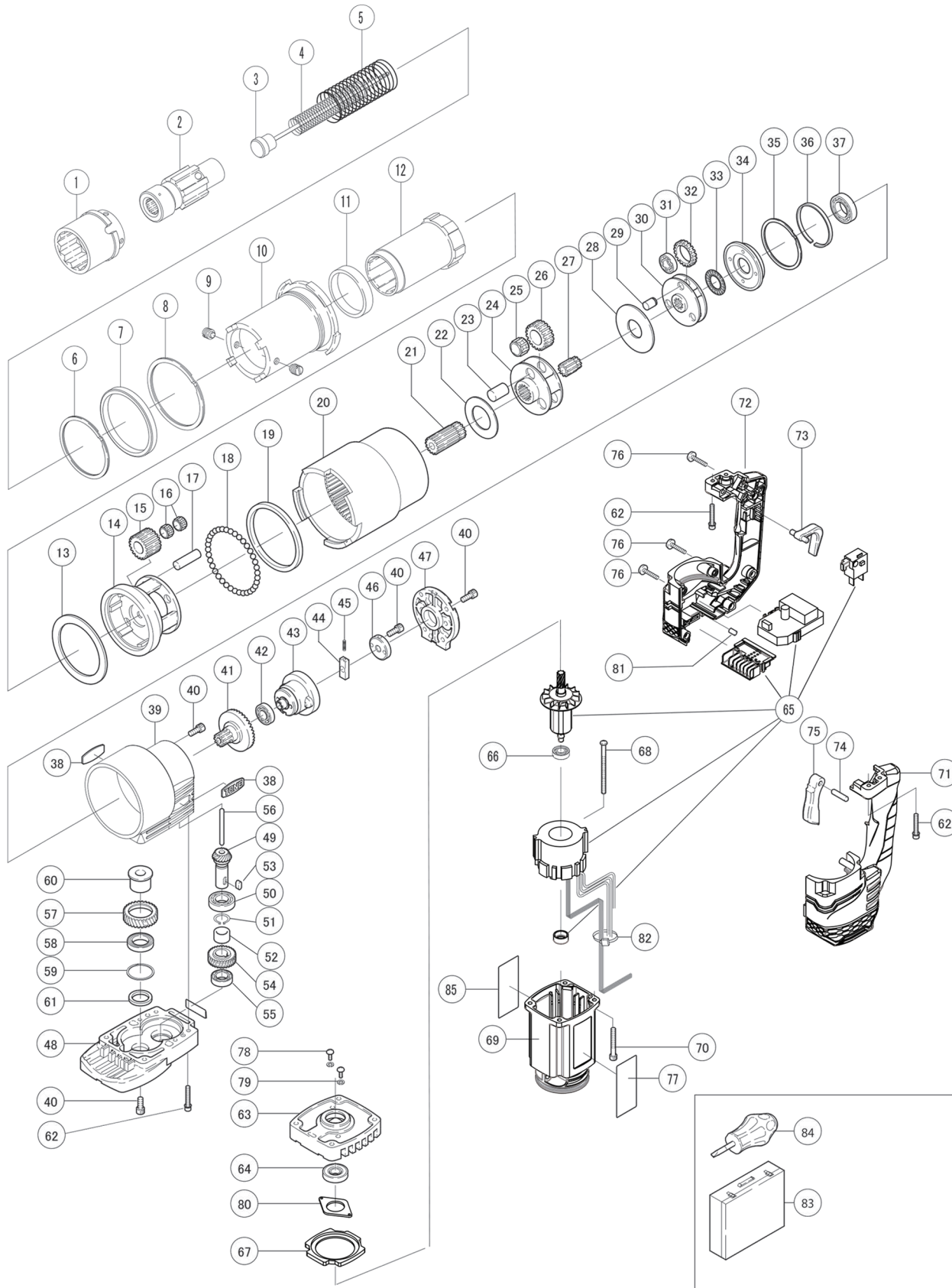


# TONE CSS-90

No. 2107

# GWY

ABSOLUTE ACCURACY



w: [www.gwyinc.com](http://www.gwyinc.com)  
p: 888.838.6500  
e: [info@gwyinc.com](mailto:info@gwyinc.com)

Recognized for quality, dependability, technical expertise.

Part #	Description	Q'ty
1	S SERIES OUTER SOCKET	1
2	S SERIES INNER SOCKET	1
3	EJECTOR PIN	1
4	EJECTOR SPRING	1
5	INNER SOCKET SPRING	1
6	SPIROLOX	1
7	SPIRO STOPPER	1
8	SPIROLOX	1
9	SET SCREW	2
10	OUTER SOCKET HOLDER	1
11	BUSH	1
12	INNER SOCKET HOLDER	1
13	THRUST WASHER	1
14	THIRD CAGE	1
15	THIRD IDLE GEAR	4
16	NEEDLE CAGE	8
17	THIRD GEAR PIN	4
18	STEEL BALL	35
19	BUSH	1
20	INTERNAL GEAR	1
21	THIRD PINION GEAR	1
22	SECOND THRUST METAL	1
23	SECOND GEAR PIN	3
24	SECOND CAGE	1
25	NEEDLE CAGE	3
26	SECOND IDLE GEAR	3
27	SECOND PINION GEAR	1
28	THRUST METAL	1
29	FIRST GEAR PIN	3
30	FIRST CAGE	1
31	BEARING	3
32	FIRST IDLE GEAR	3
33	THRUST NEEDLE	1
34	FRICTION DISK	1
35	SPIROLOX	1
36	SPIRO WASHER	1
37	BEARING	1
38	PLATE	2
39	HOUSING	1
40	HSH BOLT M4x12	13
41	PINION GEAR	1

Part #	Description	Q'ty
42	BEARING	1
43	EJECTOR BRACKET	1
44	LATCH	1
45	LATCH SPRING	1
46	LATCH GUIDE	1
47	HOUSING COVER	1
48	BRACKET	1
49	PINION BEVEL GEAR	1
50	BEARING	1
51	RETAINING RING C-TYPE	1
52	BUSH	1
53	PARALLEL KEY	1
54	HELICAL GEAR	1
55	BEARING	1
56	PUSH ROD	1
57	HELICAL GEAR	1
58	BEARING	1
59	SPIROLOX	1
60	STEPPED BUSH	1
61	BUSH	1
62	HSH BOLT W/H WASHER M4x25	8
63	BEARING BRACKET	1
64	BEARING	1
65	MOTOR ASSY	1
66	BEARING	1
67	FAN GUIDE	1
68	SCREW	2
69	MOTOR FRAME	1
70	HSH BOLT M4x32	4
71	GRIP	1
72	GRIP COVER	1
73	EJECT LEVER	1
74	PARALLEL PIN	1
75	SWITCH LEVER	1
76	TAPPING SCREW M4x18	6
77	RATING STICKER	1
78	CRPH SCREW M3x6	2
79	SPRING WASHER M3	2
80	BEARING SUPPORT	1
81	RUBBER PLUG	2
82	BANDING BAND	1

Parts not listed are not sold separately