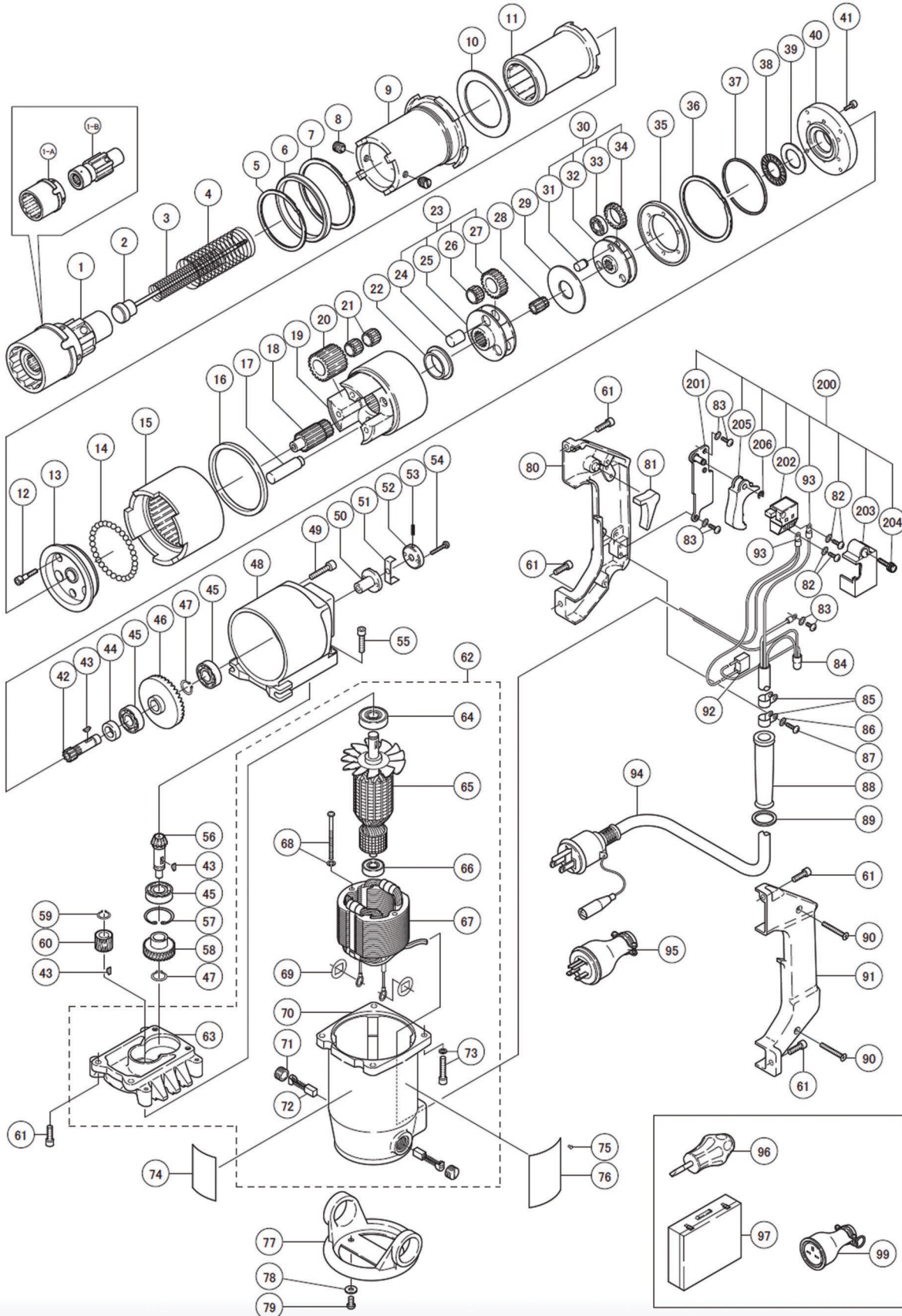


STONE S-90EZ

No. 1204

GWY

ABSOLUTE ACCURACY



w: www.gwyinc.com
p: 888.838.6500
e: info@gwyinc.com

Recognized for quality, dependability, technical expertise.

STONE S-90EZ

No. 1204



Part #	Description	Q'ty	Part #	Description	Q'ty
1-A	OUTER SOCKET	1	57	RETAINING RING C-TYPE DIA28	1
1-B	INNER SOCKET	1	58	MOTOR GEAR	1
2	EJECTOR PIN	1	59	RETAINING RING C-TYPE DIA 10	1
3	EJECTOR SPRING	1	60	MOTOR PINION	1
4	INNER SOCKET SPRING	1	61	HSH BOLT M5X16	6
5	SPIROLOX FRS-65	1	62A	MOTOR ASS'Y 115V	1
6	SPIRO STOPPER	1	62B	MOTOR ASS'Y 220V	1
7	SPIROLOX FRR-75	1	63A	METAL SLEEVE BRACKET ASS'Y 115V	1
8	SET SCREW	2	63B	METAL SLEEVE BRACKET ASS'Y 220V	1
9	OUTER SOCKET HOLDER	1	64	METAL SLEEVE 6200ZZ	1
10	BUSH 53X74.5X2	1	65A	ARMATURE 115V	1
11	INNER SOCKET HOLDER ASS'Y	1	65B	ARMATURE 220V	1
12	HSH REAMER BOLT	3	66	METAL SLEEVE 608ZZ	1
13	3RD SPIDER ASS'Y	1	67A	STATOR 115V	1
14	STEEL BALL 1/4"	34	67B	STATOR 220V	1
15	INTERNAL GEAR	1	68	CRPH SCREW M5X55 W/H WASHER	2
16	BUSH 70X80X5	1	69	INSULATING WASHER	2
17	3RD GEAR PIN	3	70A	STATOR SPIDER ASS'Y 115V	1
18	3RD PINION GEAR	1	70B	STATOR SPIDER ASS'Y 220V	1
19	GEAR CASE	1	71	BRUSH CAP	2
20	3RD IDLE GEAR	3	72	CARBON BRUSH	2
21	NEEDLE CAGE KT121713	6	73	HSH BOLT M5X25 W/H WASHER	4
22	STEPPED BUSH 25X36X9	1	74	WARNING LABEL	1
23	2ND IDLE GEAR ASS'Y	1	75	RIVET 0X4.8MM	4
24	2ND GEAR PIN	3	76A	RATING PLATE 115V	1
25	2ND CAGE	1	76B	RATING PLATE 220V	1
26	NEEDLE CAGE KT121710	3	77	CUSHION RUBBER	1
27	2ND IDLE GEAR	3	78	WASHER DIA 12	1
28	2ND PINION GEAR	1	79	CRPH SCREW M5X10	2
29	BUSH 20X52X2	1	80	GRIP WITH SPRING PIN	1
30	1ST IDLE GEAR ASS'Y	1	81	EJECTOR LEVER	1
31	1ST GEAR PIN	3	82	CRPH SCREW M3.5X6 W/H WASHER	1
32	1ST CAGE	1	83	CRPH SCREW M4X6 W/H WASHER	5
33	METAL SLEEVE 699	3	84	INSULATED CONNECTOR 5.5-SD	1
34	1ST IDLE GEAR	3	85	CORD CLAMP	2
35	FRICTION DISK	1	86	TEETH WASHER M4	2
36	SPIROLOX FRR-70	1	87	CRPH SCREW M4X14	2
37	SPIRO WASHER	1	88	CORD ARMOUR	1
38	METAL SLEEVE NTB2035	1	89	CORD ARMOUR WASHER	1
39	THRUST WASHER AS2035	1	90	CRFH SCREW M4X30	2
40	FLANGE	1	91	GRIP COVER	1
41	HSH BOLT M4X10	6	92	CONDENSER PAB 104	1
42	1ST PINION GEAR	1	93	INSULATED TERMINAL TMEV2-3.5	2
43	WOODRUFF KEY A-3X10	3	94A	CORD ASS'Y 115V	1
44	BUSH 12X20X7	1	94B	CORD ASS'Y 220V	1
45	METAL SLEEVE 6001	3	95	PLUG 220V	1
46	BEVEL GEAR	1	96	SCREWDRIVER	1
47	RETAINING RING C-TYPE DIA12	2	97	METAL CASE	1
48	HOUSING	1	99	CONNECTOR 220V	1
49	HSH BOLT M5X25	4	200	TRIGGER SWITCH KIT	1
50	EJECTOR BRACKET	1	201	BASE PLATE ASS'Y	1
51	LATCH	1	202	TRIGGER SWITCH	1
52	LATCH GUIDE	1	203	SWITCH HOLDER	1
53	LATCH SPRING	1	204	CRPH SCREW M3X8	1
54	CRPH SCREW M4X20	2	205	BASE PLATE ASS'Y	1
55	HSH BOLT M5X22	2	206	BASE PLATE ASS'Y	1
56	PINION BEVEL GEAR	1			

w: www.gwyinc.com
 p: 888.838.6500
 e: info@gwyinc.com

Recognized for quality, dependability, technical expertise.