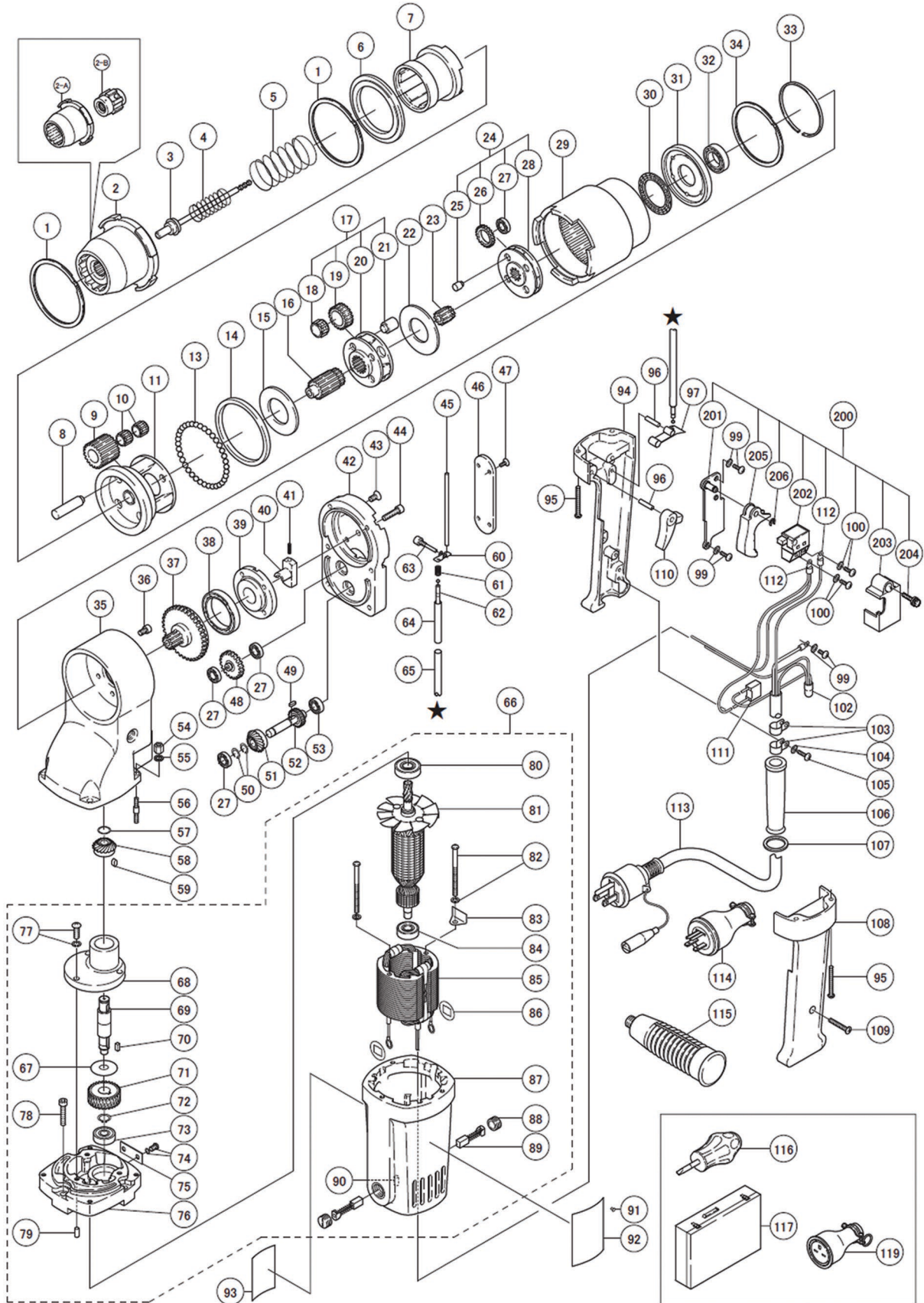


ONE S-80EZA

No. 1204

GWY

ABSOLUTE ACCURACY



STONE S-80EZA

No. 1204



Part #	Description	Q'ty	Part #	Description	Q'ty
1	SPIROLOX FRR-75	2	61	CONNECTING SPRING	1
2-A	OUTER SOCKET	1	62	WIRE ROPE	1
2-B	INNER SOCKET	1	63	SWING LEVER BOLT M4X25	1
3	EJECTOR PIN	1	64	INSULATING TUBE A	1
4	EJECTOR SPRING	1	65	INSULATING TUBE B	1
5	INNER SOCKET SPRING	1	66A	MOTOR ASS'Y 115V	1
6	STEPPED BUSH 53X74.8X5	1	66B	MOTOR ASS'Y 220V	1
7	INNER SOCKET HOLDER ASS'Y	1	67	THRUST WASHER	1
8	3RD GEAR PIN	4	68	METAL SLEEVE BRACKET B W/H NEEDL BEARING	1
9	3RD IDLE GEAR	4	69	INPUT SHAFT	1
10	NEEDLE CAGE KT101412	8	70	KEY 4X4X8	1
11	3RD CAGE W/H STEPPED BUSH	1	71	HELICAL GEAR	1
13	STEEL BALL 7/32"	39	72	RETAINING RINGS C-TYPE DIA 11	1
14	BUSH 65X74.5X5	1	73	METAL SLEEVE 608	1
15	BUSH 29X54X3	1	74	CRPH SCREW M4X6 W/H WASHER	2
16	3RD PINION GEAR	1	75	PLATE A	1
17	2ND IDLE GEAR ASS'Y	1	76	METAL SLEEVE BRACKET A	1
18	NEEDLE CAGE KT121610	4	77	CRPH SCREW M5X15 W/H WASHER	3
19	2ND IDLE GEAR	4	78	HSH BOLT M5X30	3
20	2ND CAGE	1	79	PIN	1
21	2ND GEAR PIN	4	80	METAL SLEEVE 629ZZ	1
22	BUSH 26X54X3	1	81A	ARMATURE 115V	1
23	2ND PINION GEAR	1	81B	ARMATURE 220V	1
24	1ST IDLE GEAR ASS'Y	1	82	CRPH SCREW M4X60 W/H WASHER	2
25	1ST GEAR PIN	4	83	PLATE B	1
26	1ST IDLE GEAR	4	84	METAL SLEEVE 627ZZ	1
27	METAL SLEEVE 688 (4PCS + 3PCS)	7	85A	STATOR 115V	1
28	1ST CAGE	1	85B	STATOR 220V	1
29	INTERNAL GEAR	1	86	INSULATING WASHER	2
30	METAL SLEEVE NTB3047	1	87	STATOR SPIDER ASS'Y	1
31	FRICTION DISK	1	88	BRUSH CAP	2
32	METAL SLEEVE 6903	1	89	CARBON BRUSH	2
33	SPIRO WASHER	1	90	RUBBER PLUG	1
34	SPIROLOX FRR-68	1	91	RIVET 0X4.8MM	4
35	HOUSING	1	92A	RATING PLATE 115V	1
36	HSH BOLT M5X8	6	92B	RATING PLATE 220V	1
37	1ST PINION GEAR	1	93	WARNING LABEL	1
38	METAL SLEEVE 6807	1	94	GRIP	1
39	LATCH COVER	1	95	CRPH SCREW M4X35	4
40	LATCH	1	96	SPRING PIN 4X18	2
41	LATCH SPRING	1	97	CAM	1
42	HOUSING COVER	1	99	CRPH SCREW M4X6 W/H WASHER	2
43	CRFH SCREW M5X10	4	102	INSULATED CONNECTOR 5.5-SD	1
44	HSH BOLT M5X20	6	103	CORD CLAMP	2
45	LATCH BAR	1	104	TEETH WASHER M4	2
46	LATCH BAR COVER	1	105	CRPH SCREW M4X14	2
47	CRFH SCREW M4X10	4	106	CORD ARMOUR	1
48	IDLE GEAR	1	107	CORD ARMOUR WASHER	1
49	KEY 2X2X7	1	108	GRIP COVER	1
50	RETAINING RING C-TYPE ISTW-8	2	109	CRFH SCREW M4X25	1
51	SPIRAL MITER R	1	110	EJECTOR LEVER	1
52	IDLE GEAR	1	111	CONDENSER PAB 104	1
53	METAL SLEEVE W688Z	1	113A	CORD ASS'Y 115V	1
54	HEX NUT M5	4	113B	CORD ASS'Y 220V	1
55	SPRING WASHER M5	4	114	PLUG 220V	1
56	STUD BOLT M5X28	4	115	SIDE GRIP	1
57	CIRCLIP IKO WR10	1	116	SCREW DRIVER	1
58	SPIRAL MITER L	1	117	METAL CASE	1
59	KEY 3X3X8	1	119	CONNECTOR 220V	1
60	SWING LEVER	1	200	TRIGGER SWITCH KIT	1

w: www.gwyinc.com
p: 888.838.6500
e: info@gwyinc.com

Recognized for quality, dependability, technical expertise.