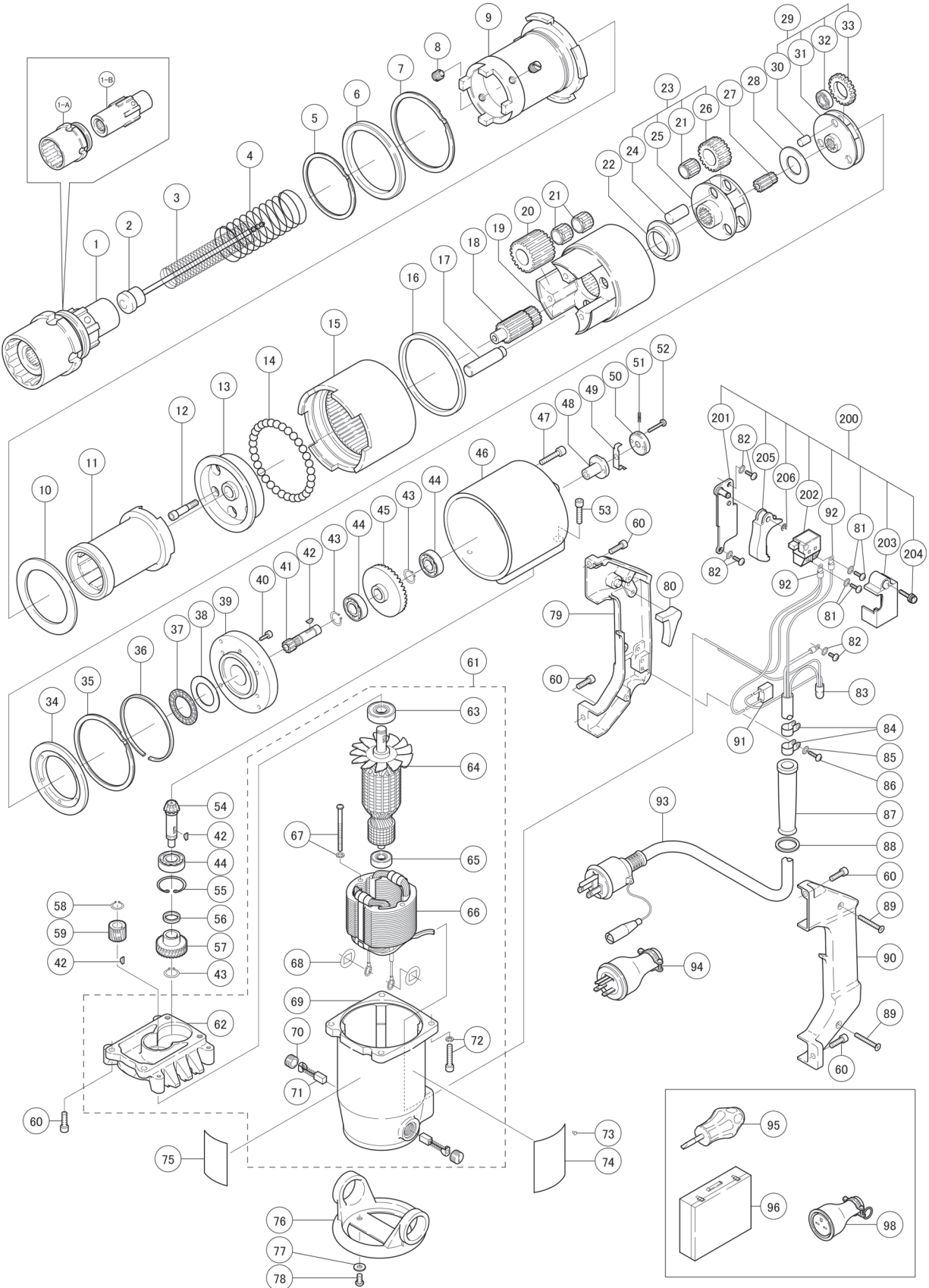


STONE S-110EZ

No. 1204

GWY

ABSOLUTE ACCURACY



w: www.gwyinc.com
p: 888.838.6500
e: info@gwyinc.com

Recognized for quality, dependability, technical expertise.

STONE S-110EZ

No. 1204



Part #	Description	Q'ty
1	SOCKET ASS'Y	
1-A	OUTER SOCKET	
1-B	INNER SOCKET	
2	EJECTOR PIN	1
3	EJECTOR SPRING	1
4	INNER SOCKET SPRING	1
5	SPIROLOX FRS-72	1
6	SPIRO STOPPER	1
7	SPIROLOX FRR-88	1
8	SET SCREW	2
9	OUTER SOCKET HOLDER	1
10	BUSH 62X87X3	1
11	INNER SOCKET HOLDER ASS'Y	1
12	HSH REAMER BOLT	3
13	3RD SPIDER ASS'Y	1
14	STEEL BALL 5/16"	32
15	INTERNAL GEAR	1
16	BUSH 83X94X5	1
17	3RD GEAR PIN	3
18	3RD PINION GEAR	1
19	GEAR CASE	1
20	3RD IDLE GEAR	3
21	NEEDLE CAGE KT131816 (6PCS + 3PCS)	9
22	STEPPED BUSH 28X45X11	1
23	2ND IDLE GEAR ASS'Y	1
24	2ND GEAR PIN	3
25	2ND CAGE	1
26	2ND IDLE GEAR	3
27	2ND PINION GEAR	1
28	BUSH 21.5X60X2	1
29	1ST IDLE GEAR ASS'Y	1
30	1ST GEAR PIN	3
31	1ST CAGE	1
32	METAL SLEEVE 699	3
33	1ST IDLE GEAR	3
34	FRICTION DISK	1
35	SPIROLOX RR-325	1
36	SPIRO WASHER	1
37	METAL SLEEVE NTB2542	1
38	THRUST WASHER AS2542	1
39	FLANGE	1
40	HSH BOLT M4X10	6
41	1ST PINION GEAR	1
42	WOODRUFF KEY A-3X10	3
43	RETAINING RING C-TYPE DIA 12	3
44	METAL SLEEVE 6001	3
45	BEVEL GEAR	1
46	HOUSING	1
47	HSH BOLT M5X25	4
48	EJECTOR BRACKET	1
49	LATCH	1
50	LATCH GUIDE	1

Part #	Description	Q'ty
51	LATCH SPRING	1
52	CRPH SCREW M4X20	2
53	HSH BOLT M5X20	2
54	PINION BEVEL GEAR	1
55	RETAINING RING C-TYPE DIA 28	1
56	BUSH 12X18X3	1
57	MOTOR GEAR	1
58	RETAINING RING C-TYPE DIA 10	1
59	MOTOR PINION	1
60	HSH BOLT M5X16	6
61A	MOTOR ASS'Y 115V	1
61B	MOTOR ASS'Y 220V	1
62A	METAL SLEEVE BRACKET ASS'Y 115V	1
62B	METAL SLEEVE BRACKET ASS'Y 220V	1
63	METAL SLEEVE 6200ZZ	1
64A	ARMATURE 115V	1
64B	ARMATURE 220V	1
65	METAL SLEEVE 608ZZ	1
66A	STATOR 115V	1
66B	STATOR 220V	1
67	CRPH SCREW M5X55 W/H WASHER	2
68	INSULATING WASHER	2
69A	STATOR SPIDER ASS'Y 115V	1
69B	STATOR SPIDER ASS'Y 220V	1
70	BRUSH CAP	2
71	CARBON BRUSH	2
72	HSH BOLT M5X25 W/H WASHER	4
73	RIVET OX4.8MM	4
74A	RATING PLATE 115V	1
74B	RATING PLATE 220V	1
75	WARNING LABEL	1
76	CUSHION RUBBER	1
77	WASHER DIA 12	1
78	CRPH SCREW M5X10	2
79	GRIP WITH SPRING PIN	1
80	EJECTOR LEVER	1
82	CRPH SCREW M4X6 W/H WASHER	3
83	INSULATED CONNECTOR 5.5-SD	1
84	CORD CLAMP	2
85	THWTH WASHER M4	2
86	CRPH SCREW M4X14	2
87	CORD ARMOUR	1
88	CORD ARMOUR WASHER	1
89	CRFH SCREW M4X30	2
90	GRIP COVER	1
91	CONDENSER PAB 104	1
93A	CORD ASS'Y 115V	1
93B	CORD ASS'Y 220V	1
94	PLUG 220V	1
95	SCREW DRIVER	1
96	METAL CASE	1
98	CONNECTOR 220V	1

Parts not listed are not available separately

w: www.gwyinc.com
 p: 888.838.6500
 e: info@gwyinc.com

Recognized for quality, dependability, technical expertise.