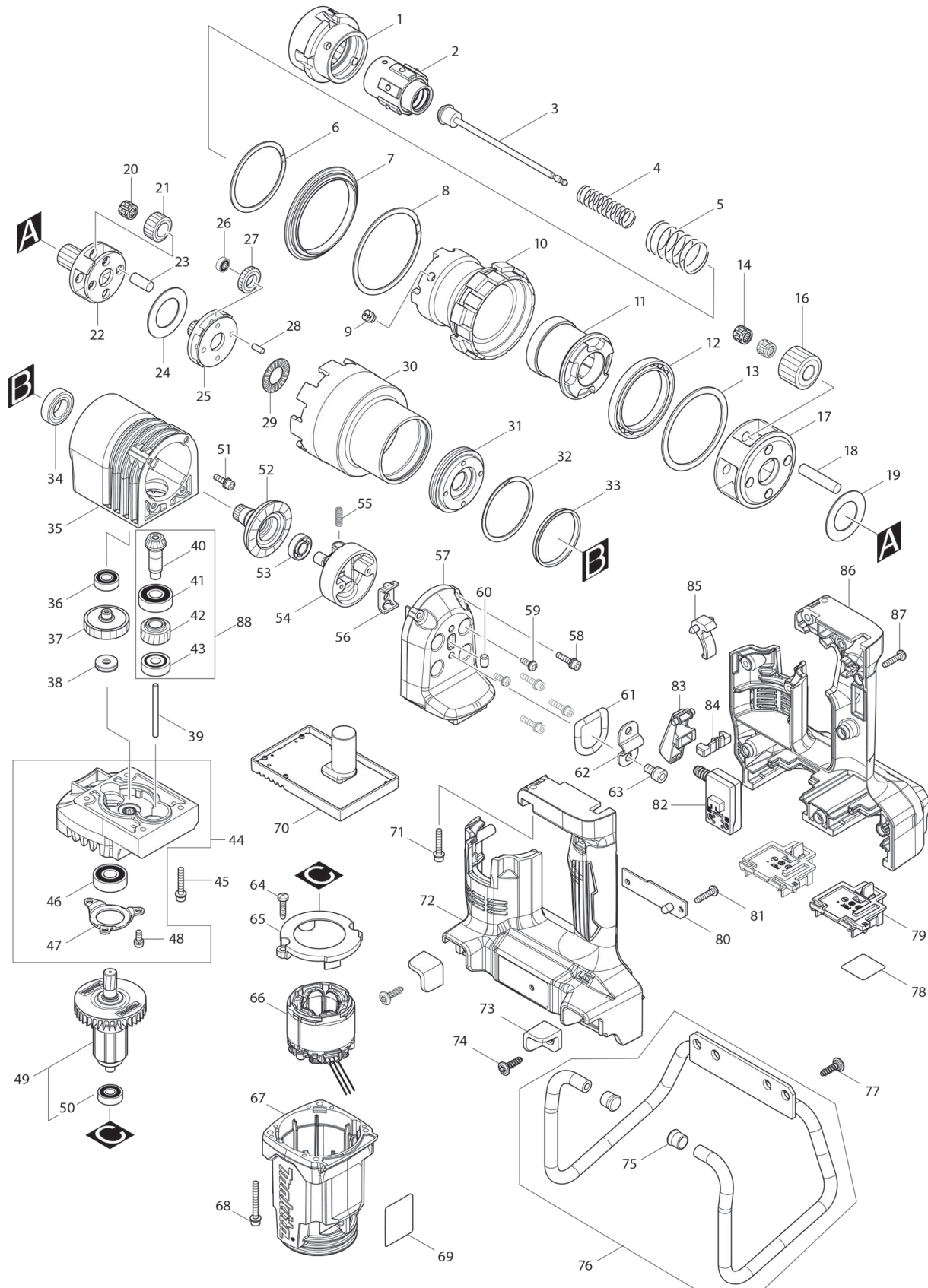


MAKITA XTW01

No. 09-18

GWY
ABSOLUTE ACCURACY



w: www.gwyinc.com
p: 888.838.6500
e: info@gwyinc.com

Recognized for quality, dependability, technical expertise.

Part #	Description	Q'ty
001	OUTER SOCKET	1
002	INNER SOCKET	1
003	CHIP ROD	1
004	COMPRESSION SPRING	1
005	COMPRESSION SPRING	1
006	SPIRO LOCK WASHER	1
007	SPACER	1
008	SPIRO LOCK WASHER	1
009	SET SCREW	2
010	OUTER SUPPORT	1
011	INNER SUPPORT COMPLETE	1
012	BALL BEARING	1
013	FLAT WASHER	1
014	NEEDLE CAGE	8
016	SPUR GEAR	4
017	CARRIER	1
018	PIN	4
019	WASHER	1
020	NEEDLE CAGE	4
021	SPUR GEAR	4
022	SPUR GEAR	1
023	PIN	4
024	WASHER	1
025	SPUR GEAR	1
026	BALL BEARING	4
027	SPUR GEAR	4
028	PIN 4 4 PC.	4
029	THRUST NEEDLE GAUGE	1
030	INTERNAL GEAR	1
031	BRACKET	1
032	SPIRO LOCK WASHER	1
033	RING	1
034	BALL BEARING	1
035	GEAR CASE COMPLETE	1
036	BALL BEARING	1
037	HELICAL GEAR	1
038	THRUST NEEDLE BEARING	1
039	PIN	1
040	SPIRAL BEVEL GEAR	1
041	BALL BEARING	1
042	HELICAL GEAR	1
043	BALL BEARING	1
044	GEAR HOUSING ASS'Y	1
045	HEX. SOCKET HEAD BOLT	4
046	BALL BEARING	1
047	BEARING RETAINER	1
048	PAN HEAD SCREW	3

Part #	Description	Q'ty
049	ROTOR ASSY	1
050	BALL BEARING	1
051	HEX. SOCKET HEAD BOLT	4
052	GEAR	1
053	BALL BEARING	1
054	ROD SUPPORTER	1
055	COMPRESSION SPRING	1
056	STOPPER PLATE	1
057	REAR COVER	1
058	H.S.H.BOLT	4
059	PAN HEAD SCREW	2
060	RUBBER PIN	1
061	D-RING	1
062	PLATE	1
063	HEX. SOCKET HEAD BOLT	2
064	TAPPING SCREW	2
065	BAFFLE PLATE	1
066	STATOR	1
067	MOTOR HOUSING	1
068	HEX. SOCKET HEAD BOLT	4
069	XTW01 NAME PLATE	1
070	CONTROLLER UNIT	1
071	H.S.H.BOLT	2
072-1	HANDLE SET	1
073-1	PROTECTION BLOCK	2
074	H.L.TAPPING SCREW	2
075	CAP	2
076-1	GUARD ASSY	1
077	H.L.TAPPING SCREW	4
078	XTW01 SERIAL NO. LABEL	1
079	TERMINAL	2
080	LED CIRCUIT	1
081	TAPPING SCREW	2
082	SWITCH	1
083	SWITCH LEVER	1
084	TRIGGER LOCK	1
085	CHIP LEVER	1
086-1	HANDLE SET	1
087	TAPPING SCREW	7
088	GEAR ASS'Y	1
A01	OUTER SLEEVE	1
A02	INNER SLEEVE	1
A03	SCREWDRIVER	1
A04	PLASTIC CASE	1
A05	DC18RD TWO PORT FAST CHARGER	1
A06	BATTERY BL1850B SET 2 PC.	2
A08	SHOULDER BELT	1

Parts not listed are not available separately