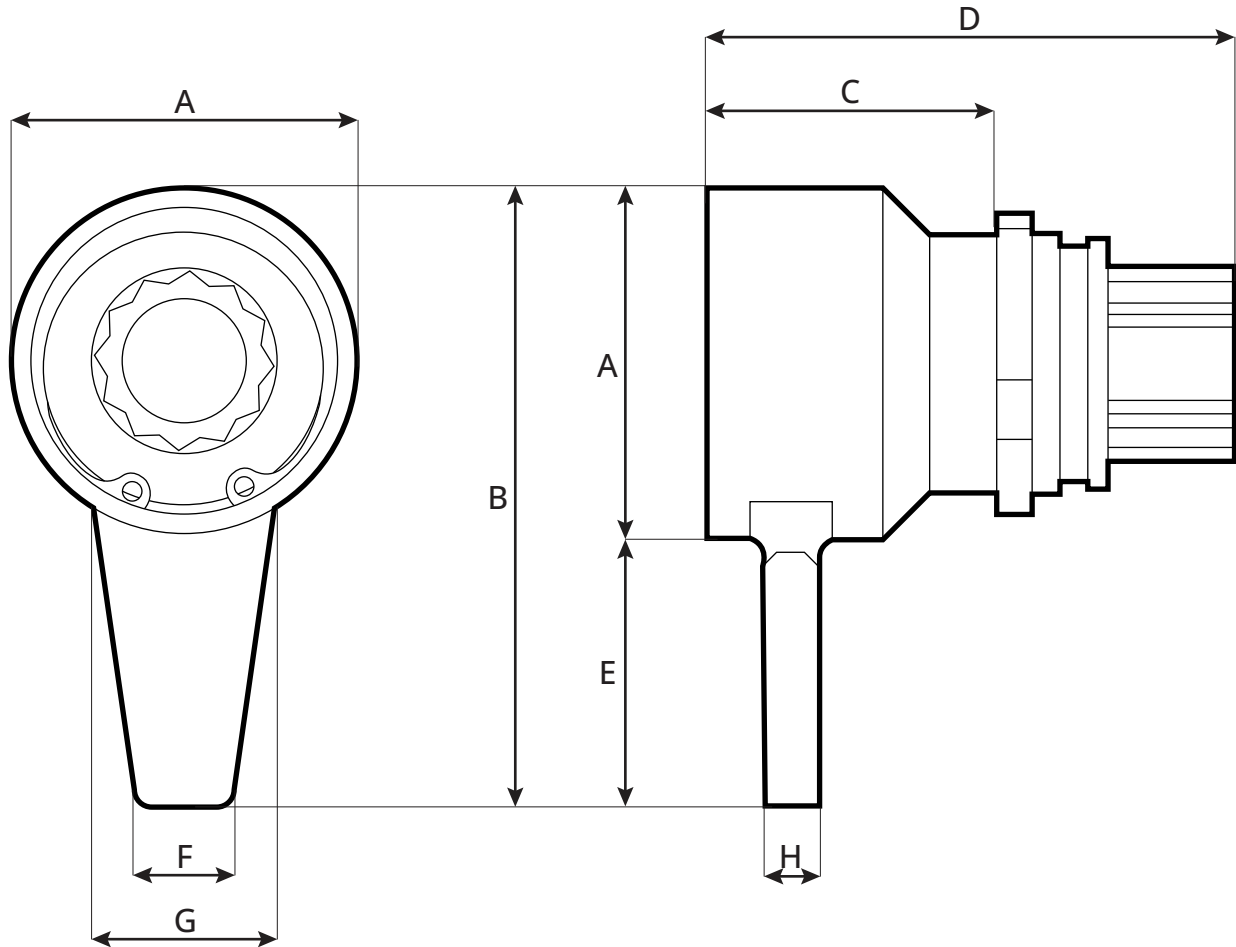


TN-20EZ Turn-of-Nut Wrench Dimensions w/ Bar Socket

Bar Socket	1 1/16"	1 1/4"
Bolt Diameter	5/8"	3/4"
A	2.32" (59mm)	2.32" (59mm)
B	4.42" (112mm)	4.42" (112mm)
C	1.91" (48mm)	1.91" (48mm)
D	10" (254mm)	10" (254mm)
E	4.5" (113mm)	4.5" (113mm)



Bar Socket Dimensions for TN-20EZ Turn-of-Nut Wrench

Bar Socket	1 1/16"	1 1/4"
Bolt Diameter	5/8"	3/4"
A	2.32" (59mm)	2.32" (59mm)
B	4.42" (112mm)	4.42" (112mm)
C	1.91" (48mm)	1.91" (48mm)
D	3.43" (87mm)	3.43" (87mm)
E	2.10" (53mm)	2.10" (53mm)
F	0.55" (14mm)	0.55" (14mm)
G	1.38" (35mm)	1.38" (35mm)
H	0.35" (9mm)	0.35" (9mm)