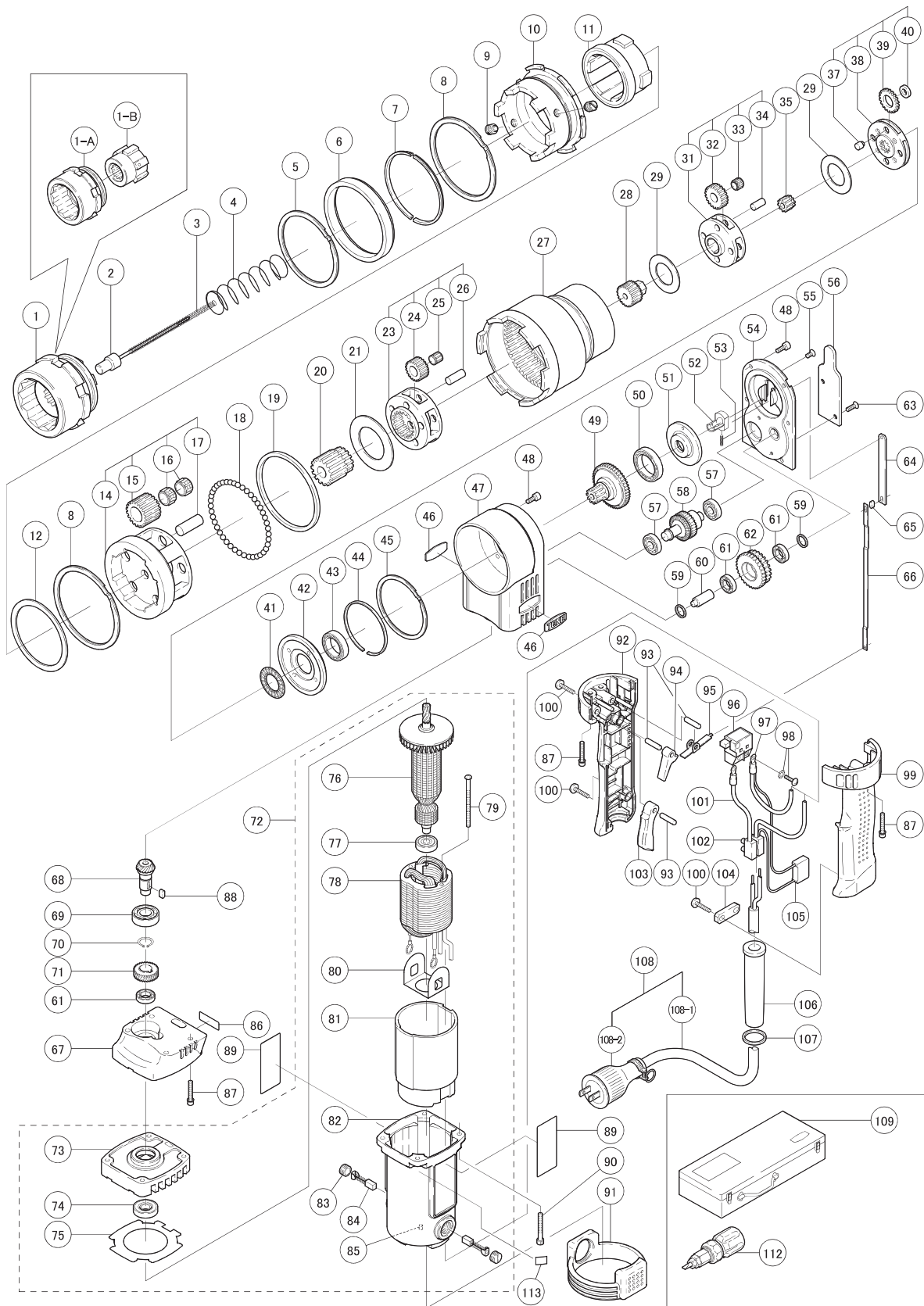


# STONE GVC-301EZ

No. 1402

# GWY

ABSOLUTE ACCURACY



w: [www.gwyinc.com](http://www.gwyinc.com)  
p: 888.838.6500  
e: [info@gwyinc.com](mailto:info@gwyinc.com)

Recognized for quality, dependability, technical expertise.

# TONE GVC-301EZ

No. 1402



Part #	Description	Q'ty
1-A	OUTER SOCKET	1
1-B	INNER SOCKET	1
2	EJECTOR PIN	1
3	EJECTOR SPRING	1
4	INNER SOCKET SPRING	1
5	SPIROLOX	1
6	SPIRO STOPPER	1
7	SUB SPIRO STOPPER (PACK OF 2)	1
8	SPIROLOX	2
9	SET SCREW	2
10	OUTER SOCKET HOLDER	1
11	INNER SOCKET HOLDER ASS'Y	1
12	BUSH	1
14	4TH CAGE	1
15	4TH IDLE GEAR	5
16	NEEDLE CAGE	10
17	4TH GEAR PIN	5
18	STEEL BALL	46
19	BUSH	1
20	6TH PINION GEAR	1
21	BUSH	1
23	3RD CAGE	1
24	3RD IDLE GEAR	5
25	NEEDLE CAGE	5
26	3RD GEAR PIN	5
27	INTERNAL GEAR	1
28	5TH PINION GEAR	1
29	THRUST WASHER	2
31	2ND CAGE	1
32	2ND IDLE GEAR	4
33	NEEDLE CAGE	4
34	2ND GEAR PIN	4
35	4TH PINION GEAR	1
37	1ST GEAR PIN	4
38	1ST CAGE	1
39	1ST IDLE GEAR	4
40	BUSH	4
41	BEARING	1
42	FRICITION DISK	1
43	BEARING	1
44	SPIRO WASHER	1
45	SPIROLOX	1
46	LOGO PLATE	2
47	HOUSING	1
48	HSH BOLT M4X10	10
49	3RD PINION GEAR	1
50	BEARING	1
51	LATCH GUIDE	1
52	LATCH	1
53	LATCH SPRING	1
54	HOUSING COVER	1
55	CRFH SCREW M4X6	1
56	LATCH COVER	1
57	BEARING	2
58	2ND PINION GEAR	1
59	BUSH	2
60	GEAR PIN	1
61	BEARING	3

Part #	Description	Q'ty
62	1ST PINION GEAR	1
63	CRFH SCREW M4X10	2
64	LATCH BAR	1
65	KEY	1
66	LATCH EXTENSION BAR	1
67	BRACKET	1
68	PINION BEVEL GEAR	1
69	BEARING	1
70	RETAINING RING C-TYPE	1
71	HELICAL GEAR	1
72A	MOTOR ASS'Y 115V	1
72B	MOTOR ASS'Y 220V	1
73	BEARING BRACKET ASS'Y	1
74	BEARING	1
75	FAN GUIDE	1
76A	ARMATURE 115V	1
76B	ARMATURE 220V	1
77	BEARING	1
78A	STATOR 115V	1
78B	STATOR 220V	1
79	CRPH TAPPING SCREW M4X60	1
80	INSULATING WASHER	1
81	INSULATING SLEEVE	1
82	STATOR SPIDER ASS'Y	1
83	BRUSH CAP	2
84	CARBON BRUSH	2
85	RUBBER PLUG	1
86	SERIAL NUMBER PLATE	1
87	HSH BOLT M4X25 W/WASHER	8
88	KEY	1
89A	RATING PLATE 115V - FRONT	1
89B	RATING PLATE 115V - BACK	1
89C	RATING PLATE 220V CE - FRONT	1
89D	RATING PLATE 220V CE - BACK	1
90	HSH BOLT M4X32	4
91	CUSHION RUBBER	1
92	GRIP	1
93	PIN	3
94	EJECTOR LEVER	1
95	EJECTOR CAM	1
96	TRIGGER SWITCH	1
97	INSULATED TERMINAL	2
98	CRPH SCREW M3.5X6 W/WASHER	2
99	GRIP COVER	1
100	CRPH TAP TIGHT 4X18	4
101	LEAD WIRE BROWN	1
102	EUROPEAN TERMINAL	1
103	SWITCH LEVER	1
104	CORD CLAMP	1
105	CONDENSER	1
106	CORD ARMOUR	1
107	BUSH	1
108A	CORD ASS'Y 115V	1
108B	CORD ASS'Y 220V	1
108-1	CABLE	1
108-2	PLUG	1
109	METAL CASE	1

Parts not listed are not available separately

w: [www.gwyinc.com](http://www.gwyinc.com)  
 p: 888.838.6500  
 e: [info@gwyinc.com](mailto:info@gwyinc.com)

Recognized for quality, dependability, technical expertise.