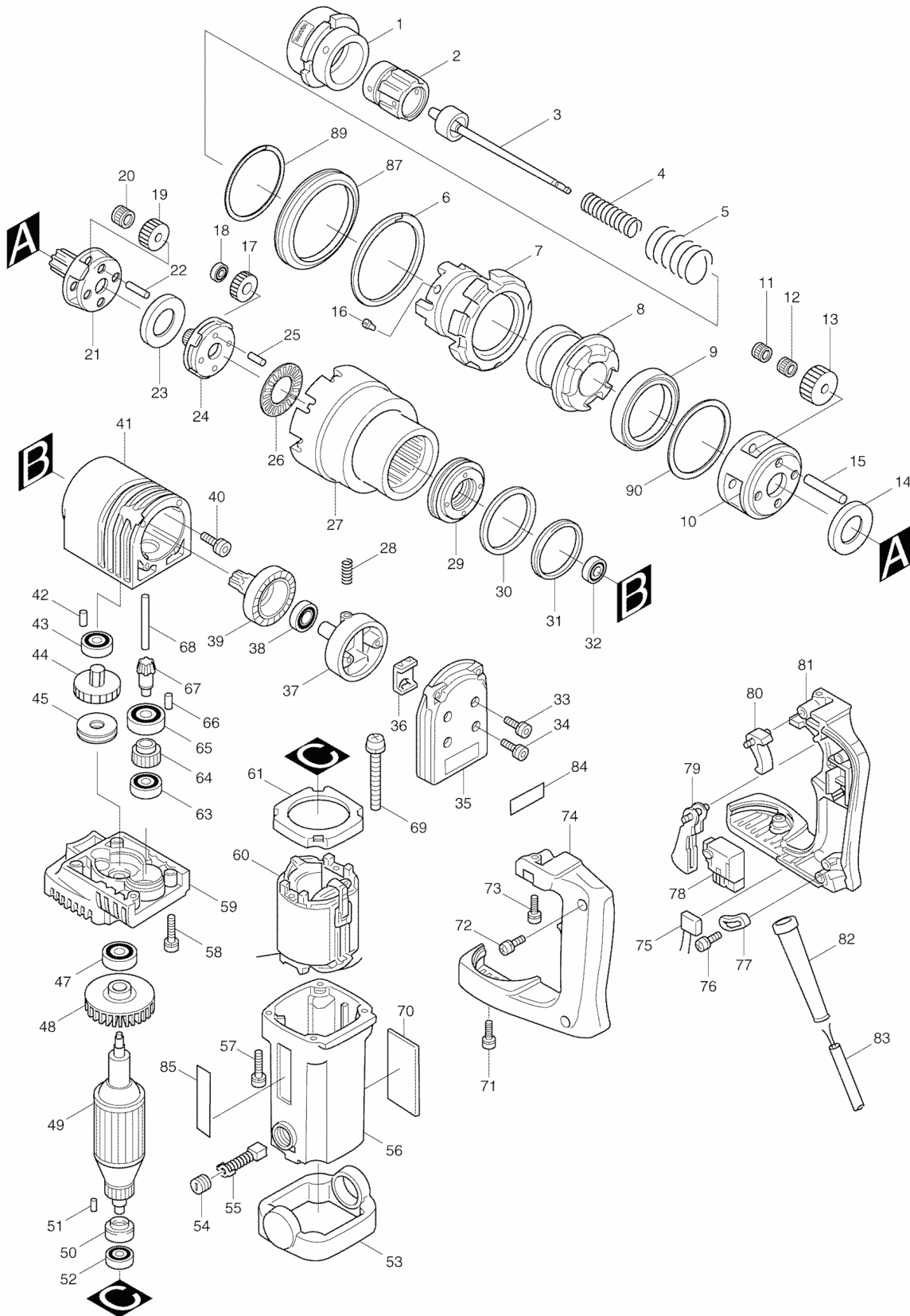


MAKITA 6922NB

No. 1302

GWY

ABSOLUTE ACCURACY



MAKITA 6922NB

No. 1302



Part #	Description	Q'ty
1	OUTER SOCKET	1
2	INNER SOCKET	1
3	CHIP ROD	1
4	EJECTOR SPRING	1
4HD	HVY DUTY EJECTOR SPRING	1
5	INNER SOCKET SPRING	1
6	SPIRO LOCK WASHER	1
7	OUTER SUPPORT	1
8	INNER SUPPORT COMPLETE	1
9	BALL BEARING	1
10	CARRIER	1
11	NEEDLE CAGE	4
12	NEEDLE CAGE	4
13	SPUR GEAR	4
14	WASHER	1
15	PIN	4
16	SCREW M8X8	2
17	SPUR GEAR	4
18	BALL BEARING	4
19	SPUR GEAR	4
20	NEEDLE CAGE	4
21	SPUR GEAR	1
22	PIN	4
23	WASHER	1
24	SPUR GEAR	1
25	PIN	4
26	THRUST NEEDLE BEARING	1
27	INTERNAL GEAR	1
28	COMPRESSION SPRING	1
29	BRACKET	1
30	SPIRO LOCK WASHER	1
31	RING	1
32	BALL BEARING	1
33	PH SCREW M4X12	2
34	HSH BOLT M4X14	4
35	REAR COVER	1
36	STOPPER PLATE	1
37	ROD SUPPORTER	1
38	BALL BEARING	1
39	GEAR	1
40	HSH BOLT M4X14	4
41	GEAR CASE COMPLETE	1
42	RUBBER PIN	1

Part #	Description	Q'ty
43	BALL BEARING	1
44	HELICAL GEAR	1
45	THRUST BEARING ASSEMBLY	1
47	BALL BEARING	1
48	FAN	1
49	ARMATURE ASSEMBLY	1
50	INSULATION WASHER	1
51	RUBBER PIN	1
52	BALL BEARING	1
53	PROTECTOR	1
54	BRUSH HOLDER CAP	2
55	CARBON BRUSH	2
56	MOTOR HOUSING COMPLETE	1
57	HSH BOLT M4X35 W/WASHER	4
58	HSH BOLT M4X25 W/WASHER	4
59	GEAR HOUSING & B. RETAINER	1
59B	CRPH SCREW M4X10	1
60	FIELD ASSEMBLY	1
61	BAFFLE PLATE	1
63	BALL BEARING	1
64	GEAR ASSEMBLY	1
65	BALL BEARING	1
66	RUBBER PIN	1
67	SPIRAL BEVEL GEAR	1
68	PIN	1
69	CRPH SCREW M4X70 W/WASHER	2
70	NAME PLATE	1
71	HSH BOLT M4X25	2
72	TAPPING SCREW BT4X20	2
73	HSH BOLT M4X25	2
74	HANDLE SET	1
76	TAPPING SCREW 4X18	2
77	STRAIN RELIEF	1
78	SWITCH	1
79	SWITCH LEVER	1
80	CHIP LEVER	1
81	HANDLE SET	1
82	CORD GUARD	1
83	CORD	1
87	SPACER	1
89	SPIRO LOCK WASHER 62	1
90	FLAT WASHER 60	1
405	METAL CASE	1

Parts not listed are not available separately

w: www.gwyinc.com

p: 888.838.6500

e: info@gwyinc.com

Recognized for quality, dependability, technical expertise.