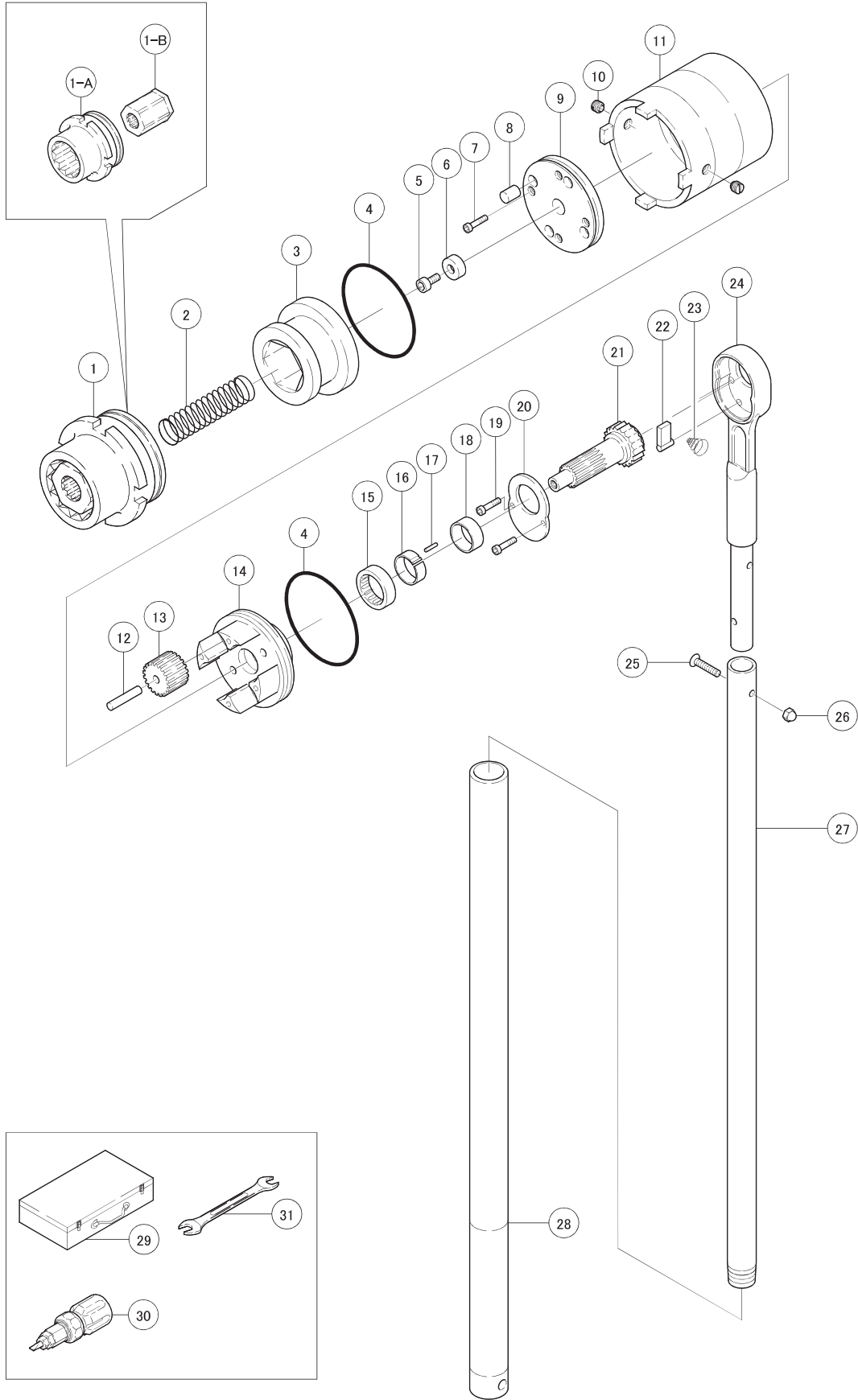


STONE S-24HA

No. 1204



Part	Description	Q'ty
1-A	OUTER SOCKET	1
1-B	INNER SOCKET	1
2	INNER SOCKET SPRING	1
3	INNER SOCKET HOLDER	1
4	O-RING	2
5	HSH SCREW (CCW)	4
6	STEPPED BUSH	1
7	HSH REAMER BOLT	4
8	SUPPORT PIN	4
9	SPIDER	1
10	SET SCREW	2
11	INTERNAL GEAR	1
12	GEAR PIN	4
13	IDLE GEAR	4
14	CAGE	1
15	NEEDLE BEARING	1
16	CLUTCH RING	1
17	NEEDLE ROLLER	1
18	NEEDLE BEARING	1
19	SCREW FOR RATCHET COVER	2
20	RATCHET COVER	1
21	PINION GEAR	1
22	RATCHET PAWL	1
23	RATCHET SPRING	1
24	RATCHET HANDLE	1
25	SHM SCREW M5X25	1
26	DOME NUT M5X0.83	1
27	HANDLE DIA 22 (THIN)	1
28	HANDLE DIA 27 (THICK)	1
29	METAL CASE	1

Parts not listed are not available separately