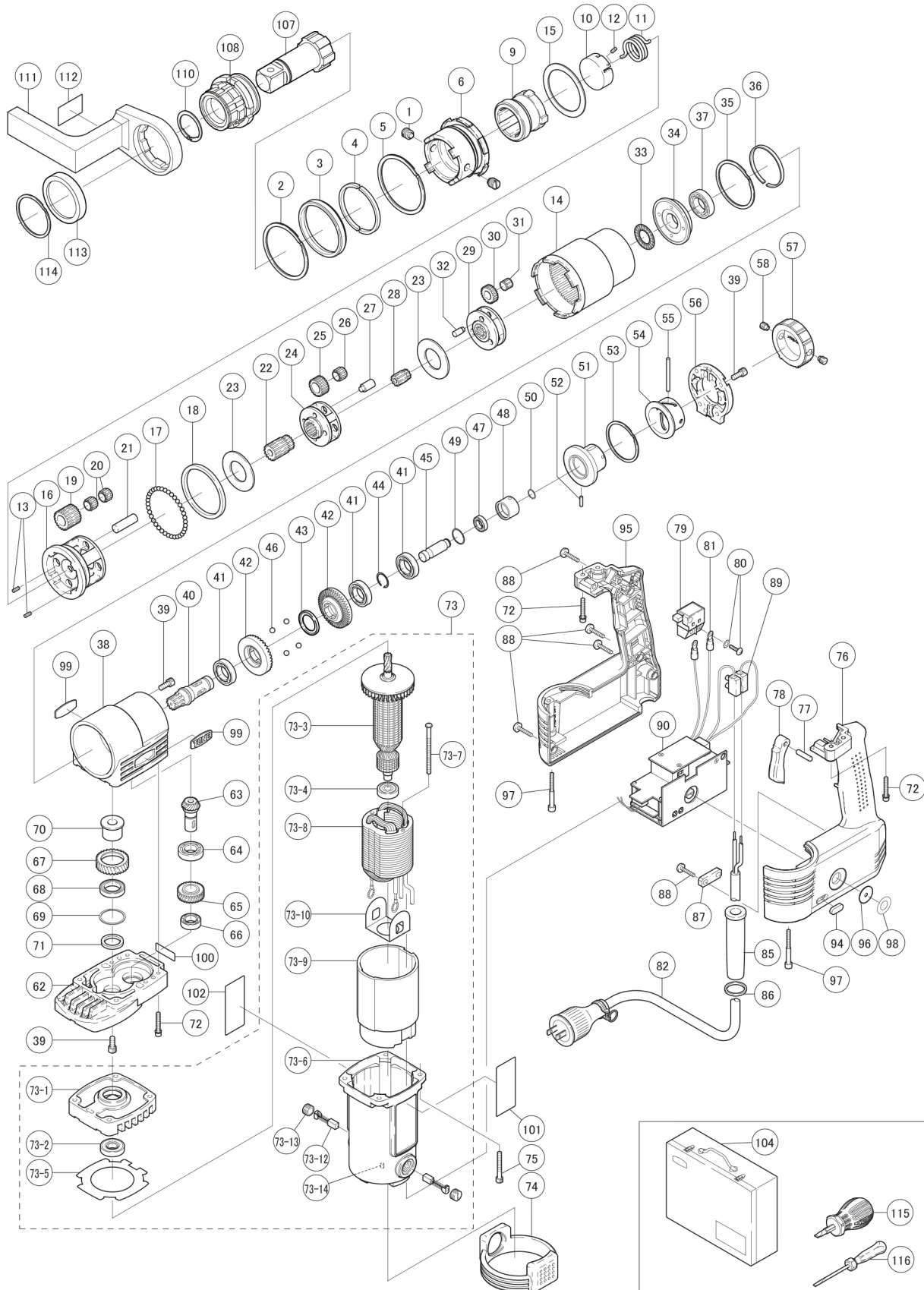


STONE GNR-51E

No. 1811

GWY

ABSOLUTE ACCURACY



w: www.gwyinc.com
p: 888.838.6500
e: info@gwyinc.com

Recognized for quality, dependability, technical expertise.

STONE GNR-51E

No. 1811



Part #	Description	Q'ty
1	SET SCREW	2
2	SPIROLOX	1
3	SPIRO STOPPER	1
4	SUB SPIRO STOPPER	1
5	SPIROLOX	1
6	OUTER SOCKET HOLDER	1
9	INNER SOCKET HOLDER	1
10	GUIDE BUSH	1
11	TORSION COIL SPRING	1
12	SPRING PIN	1
13	SPRING PIN	2
14	INTERNAL GEAR	1
15	THRUST WASHER	1
16	CAGE	1
17	STEEL BALL	35
18	BUSH	1
19	IDLE GEAR	4
20	NEEDLE CAGE	8
21	GEAR PIN	4
22	PINION GEAR	1
23	BUSH	2
24	CAGE	1
25	IDLE GEAR	4
26	NEEDLE CAGE	4
27	GEAR PIN	4
28	PINION GEAR	1
29	CAGE	1
30	IDLE GEAR	3
31	NEEDLE CAGE	3
32	GEAR PIN	3
33	THRUST NEEDLE	1
34	FRICTION DISK	1
35	SPIROLOX	1
36	SPIRO WASHER	1
37	BEARING	1
38	HOUSING	1
39	HSH BOLT	9
40	PINION GEAR	1
41	BEARING	3
42	BEVEL GEAR	2
43	STEPPED BUSH	1
44	CIRCLIP	1
45	CHANGE SPOOL	1
46	STEEL BALL	4
47	BEARING	1
48	SPOOL HOLDER	1
49	RETAINING RING	1
50	RETAINING RING S-TYPE	1
51	SPOOL GUIDE	1
52	NEEDLE ROLLER	1
53	SPIROLOX	1
54	CHANGE DRUM	1
55	NEEDLE ROLLER	1
56	HOUSING COVER	1
57	CHANGE GRIP	1
58	CLICK PLUNGER ASS'Y	2
62	BRACKET	1
63	PINION BEVEL GEAR	1

Part #	Description	Q'ty
64	BEARING	1
65	HELICAL GEAR	1
66	BEARING	1
67	HELICAL GEAR	1
68	BEARING	1
69	SPIROLOX	1
70	STEPPED BUSH	1
71	BUSH	1
72	HSH BOLT W/H WASHER	8
73	MOTOR	1
73-1	BEARING BRACKET	1
73-2	BEARING	1
73-3	ARMATURE	1
73-4	BEARING	1
73-5	FAN GUIDE	1
73-6	STATOR SPIDER ASS'Y	1
73-7	TAPPING SCREW	2
73-8	STATOR	1
73-9	INSULATED SLEEVE	1
73-10	INSULATED WASHER	1
73-12	CARBON BRUSH	2
73-13	BRUSH CAP	2
73-14	RUBBER PLUG	1
74	CUSHION RUBBER	1
75	HSH BOLT	4
76	GRIP	1
77	PARALLEL PIN	1
78	SWITCH LEVER	1
79	TRIGGER SWITCH	1
80	CRPH SCREW	2
80	SPRING WASHER	2
81	INSULATED TERMINAL	2
82	CORD ASS'Y	1
85	CORD ARMOUR	1
86	BUSH	1
87	CLUMP	1
88	TAPPING SCREW	6
89	EUROPEAN TERMINAL	1
90	CONTROL BASE ASSY	1
94	COVER	1
95	GRIP COVER	1
96	DIAL COVER	1
97	HSH BOLT	2
98	GRADUATION	1
99	PLATE	2
100	SERIAL NUMBER PLATE	1
101	RATING PLATE FOR GNR51E-UC	1
102	WARNING LABEL	1
104	METAL CASE	1
107	SQUARE DRIVE	1
108	OUTER HOLDER	1
110	RING	1
111	REACTION BAR	1
112	WARNING LABEL	1
113	BUSH	1
114	SPIROLOX	1
115	SCREW DRIVER	1
116	SCREW DRIVER	1

Parts not listed are not available separately